

# jail furnishings



*“Our exclusive guarantee is your assurance that all purchases from Iowa Prison Industries will last a long time and serve you in a manner you have a right to expect. If there are any problems with the quality of the materials or workmanship, we will adjust, repair or replace to YOUR satisfaction.”*

*--Roger L. Baysden, Director IPI*



**Iowa Prison Industries**

A Division of The Department of Corrections  
800-670-4537 • [www.iaprisonind.com](http://www.iaprisonind.com)

*“Your State Owned Store”*

---

*For current prices, color swatches,  
new or revised products and ordering information,  
please visit Iowa Prison Industries' web site at  
**<http://www.iaprisonind.com>**  
or contact a sales representative at  
**800-670-4537.***



**Iowa Prison Industries**

A Division of The Department of Corrections  
800-670-4537 • [www.iaprisonind.com](http://www.iaprisonind.com)

*“Your State Owned Store”*

---

# table of contents

## Beds & Accessories

- Mounted Beds 2
- Freestanding Beds 2
- Accessories 3
- Storage 3
- Bedding 4

## Seating

- Mounted Seats & Stools 5
- Stackable Chairs 5 - 6
- Lounge Seating 6
- Office & Guard Chairs 7

*For current prices, color swatches, new or revised products and ordering information, please visit our web site at <http://www.iaprisonind.com>.*

Newton Correctional Facility, Newton

## 2 - 4 Tables

- Mounted Tables 8
- Freestanding Tables 8
- General Use Tables 8 - 9

## Dining Clusters

10

## Storage

- Pistol Lockers 11
- Mounted Cabinets 11
- Shelving 11

## About IPI

- What Is IPI? 12
- Testimonials 12

## 8 - 9 The Metal Shop

The majority of Iowa Prison Industries' jail furnishings are produced in the Metal Shop located at the Anamosa State Penitentiary. The Anamosa Metal Shop has been in operation since 1952.

The Metal Shop fills over 1,000 orders annually with approximately fifty-five inmate employees under the supervision of four IPI staff.

Products produced by the Metal Shop include school and library furniture, office furniture, jail furniture, parks and recreation products, chairs, tables and filing cabinets. Along with stock items, the Metal Shop receives daily requests for one-of-a-kind special items and can also customize most products to meet a customer's specific needs.



# beds & accessories

## Wall Mount Beds

Available in single and bunk bed designs, Wall Mount Beds are constructed with strength and security in mind. Standard configurations can be modified according to your specifications and available space.

Colors Available:

- Frame: See painted metal colors

### Standard Features:

- Bed platform produced with .1875" x 1.75" angle frames with 14-gauge mild steel pans
- Assembled with .375"-16 carriage bolts with lock/flat washers and hex nuts
- Mounts to wall via 12 drop-in anchors of .5"

### Options:

- Permanent wall mounting available
- Various accessories available (see page 3)
- Under-bed storage options available (see page 3)



Wall Mount Bunk Bed shown with TV Shelf and Under-Bed Drawers (page 3)

Size Specifications:	Single Bed	Bunk Bed
Overall Size:	34"d x 80"w x 17.75"h	34"d x 80"w x 53.75"h
Bed Platform Size:	32"d x 80"w	32"d x 80"w
<i>Custom sizes &amp; configurations are available.</i>		

## Floor Mount Beds

Designed for long-lasting durability and security, Floor Mount Beds are available in single and bunk bed models. Floor Mount Beds can also be customized to meet your needs.

Colors Available:

- Frame: See painted metal colors

### Standard Features:

- Bed platform produced with .1875" x 1.75" angle frame with 14-gauge mild steel plate
- Heavy-duty frame produced with 1.75" angle frame uprights and 1.5" mild steel tube cross braces
- Assembled with .375"-16 carriage bolts with lock/flat washers and hex nuts
- Mounts to floor via .375" drop-in anchors and bolts with self-locking nuts

### Options:

- Field welding available for added security
- Various accessories available (see page 3)
- Under-bed storage and / or mounted lockers available (see page 4)



Floor Mount Bunk Bed shown with TV Shelf and Ladder (page 3)

Size Specifications:	Single Bed	Bunk Bed
Overall Size:	32.5"d x 80.375"w x 30"h	32.5"d x 80.375"w x 54.25"h
Bed Platform Size:	32"d x 80"w	32"d x 80"w
<i>Custom sizes &amp; configurations are available.</i>		

## Freestanding Beds

When the security of a mounted bed is not needed, Freestanding Metal Beds are cost effective and durable. Heavy-duty steel frames are virtually indestructible and will withstand even the most rigorous environments. Available as single beds or bunk beds.

Colors Available:

- Frame: See painted metal colors



### Standard Features:

- Bed springs produced with 16-gauge steel and .125" cold rolled rod
- 1.75" square heavy-duty frame produced with 16-gauge steel

### Options:

- Two lengths available
- Custom sizes available



Size Specifications:	Single Bed	Bunk Bed
Overall Size:	36"d x 78.187" or 84.187"w x 26.5"h	36"d x 78.187" or 84.187"w x 62"h
Bed Platform Size:	36"d x 74" or 80"w	36"d x 74" or 80"w

## Bed Accessories

Several safety and convenience-related accessories are available to add to floor or wall mounted beds. All feature heavy-duty construction and materials to withstand heavy use. All accessories can also be customized to your specifications.

Colors Available:

- Frame: See painted metal colors



### Ladder

Provide safe access to the top bunk of jail beds by adding an inexpensive ladder.

#### Standard Features:

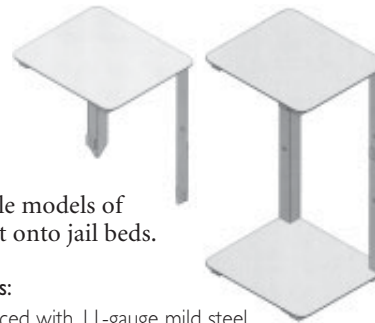
- 1.25" square uprights produced with 16-gauge mild steel tube
- 1" square rungs produced with 11-gauge mild steel

### TV Shelf

Single or double models of TV Shelves bolt onto jail beds.

#### Standard Features:

- Shelves produced with 11-gauge mild steel



### Anti-Roll Out Bar

Recommended on the top bunk of all bunk beds for safety.

#### Standard Features:

- 1" diameter bar produced with 16-gauge round tubing



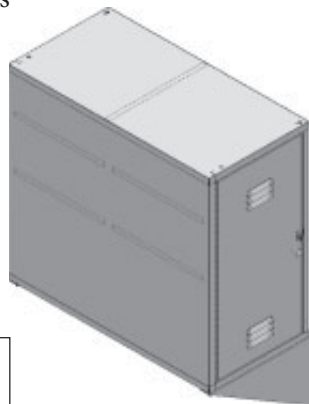
<b>Size Specifications:</b> Ladder	<b>TV Shelf, Single</b>	<b>TV Shelf, Double</b>	<b>Anti-Roll Out Bar</b>
Overall Size: 14.5"w x 35.5"h	15.75"d x 18"w x 22.125"h	15.75"d x 18"w x 34"h	1"d x 27.125"w x 9.688"h

## Double Lockers

Security-conscious Double Lockers, available to mount on the Floor Mount Bunk Beds, provide convenient storage for two people with doors on each end of the locker. Heavy-duty construction ensures long-lasting durability.

#### Standard Features:

- Casework produced with 16-gauge mild steel with one 18-gauge mild steel shelf per side
- Steel hasp accommodates standard size padlocks
- Bolts to mounting brackets from inside the locker using drilled spanner screws



<b>Size Specifications:</b> Double Locker
Overall Size: 32"d x 16"w x 30"h

## Footlockers

Attach Footlockers to Floor Mount Beds (either one per single bed or two per bunk bed) for secure, individual storage. Footlockers are built with heavy-duty materials for long-term use.

#### Standard Features:

- Casework produced with 16-gauge mild steel
- Steel hasp accommodates standard size padlocks
- Bolts to mounting brackets from inside the locker using drilled spanner screws

#### Options:

- Wall mountable
- Unmounted with handles on sides and / or front



<b>Size Specifications:</b> Footlocker
Overall Size: 16"d x 31.6"w x 12.125"h

## Under-Bed Drawers

With a hasp provided for a lock, Under-Bed Drawers provide secure storage for small items. Multiple single drawers mount to the underside of Wall Mount or Floor Mount beds.

#### Standard Features:

- Casework constructed with 11-gauge mild steel
- Drawer constructed with 16-gauge mild steel
- Hasp fits standard size padlocks



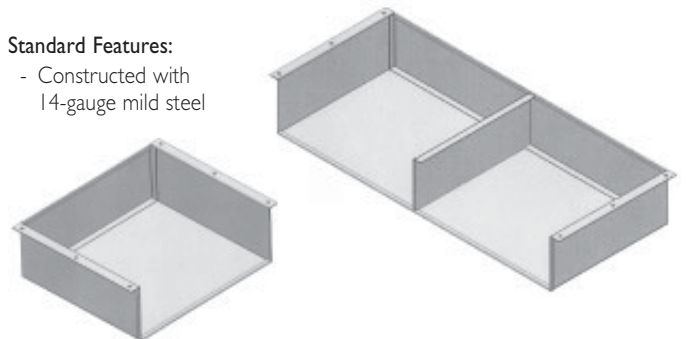
<b>Size Specifications:</b> Under-Bed Drawer
Overall Size: 25"d x 20.5"w x 10.625"h

## Under-Bed Shelves

Under-Bed Shelves are an economical storage option for small items when security is not necessary. Single or double sizes mount to the underside of all jail beds.

#### Standard Features:

- Constructed with 14-gauge mild steel



<b>Size Specifications:</b> Under-Bed Shelf, Single	<b>Under-Bed Shelf, Double</b>
Overall Size: 20"d x 25.5"w x 8"h	20"d x 46.75"w x 8"h

# beds & accessories

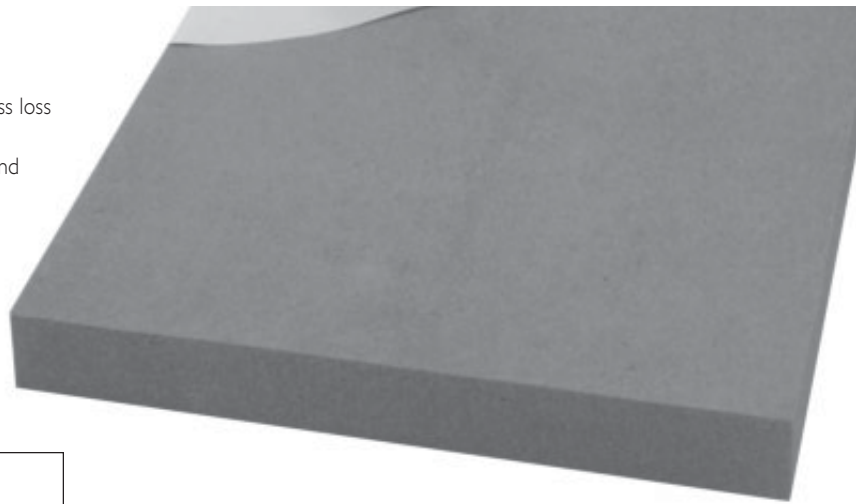
## Mattresses

### Standard Features:

- CR SAFGUARD neoprene foam retains shape with minimum thickness loss
- Easily searchable for contraband
- Excellent flammability characteristics, meeting Federal Standard 191 and California Standard 119
- Mattress cover produced with flame resistant, 10.5 oz., vinyl mattress ticking with nylon reinforcement

### Options:

- Mattress cover available with zippered, sewn, Velcro or glued ends
- Replacement mattress covers sold separately
- Quantity discounts available



### Sizes Available:

- 3" – 4" thickness
- 24" – 36" width
- 72" – 80" length

### Colors Available:

- Fabric: Camel only

## Pillows

### Standard Features:

- Shredded CR SAFGUARD neoprene foam filling
- Approximate finished weight of 3.5 lbs.
- Excellent flammability characteristics, foam core meets Federal Standard 191 and has radiant test flame-spread of 25
- Pillow cover produced with flame resistant, 10.5 oz., vinyl mattress ticking with nylon reinforcement

### Options:

- Quantity discounts available



### Sizes Available:

- 18" x 27"

### Colors Available:

- Fabric: Camel only

## Mattress Covers

### Standard Features:

- More cost effective than replacing entire mattress
- Produced with flame resistant, 10.5 oz. vinyl mattress ticking with nylon reinforcement

### Options:

- Available with zippered or Velcro ends



### Sizes Available:

- 3" – 4" thickness
- 24" – 36" width
- 72" – 80" length

### Colors Available:

- Fabric: Camel only

## Bed Linens

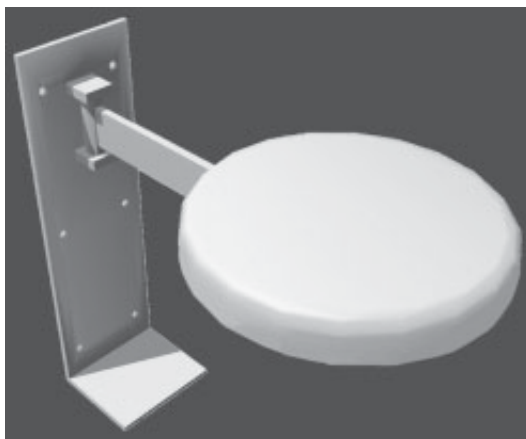
A variety of products to fill all your bed linen needs are available. For quality linens at competitive prices, try out IPI's pillowcases, sheets and blankets.

*Please view IPI's Clothing & Textiles catalog or our web site at <http://www.iaprisonind.com> for specifications on Bed Linens as well as our full line of inmate apparel, bed & bath and dietary apparel offerings.*



## Wall Mount Swing Out Seats

Swing Out Seats offer the space-saving advantage of allowing the user to store the seat up against the wall when not in use. Heavy-duty construction allows them to hold up to lots of use.



### Standard Features:

- Round stainless steel stool seat with 1" bottom lip
- When fully extended, seat sits 10" from wall
- Heavy-duty wall mount plate produced from 11-gauge steel

### Colors Available:

- Seat: Stainless steel
- Frame: See painted metal colors

### Size Specifications: Swivel Seat

Seat Size: 12" round x 18"h  
 Mounting Plate: 6"w x 17.65"h  
 Overall Size: 22"d x 12"w x 18"h

## Wall Mount Seats

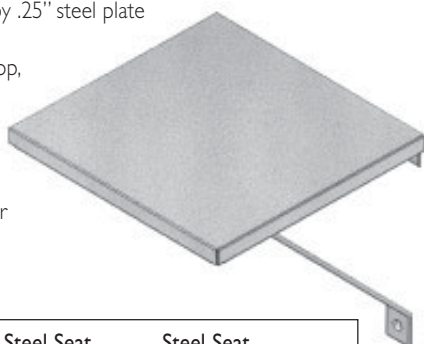
For economical, durable and secure cell seating, Wall Mount Seats are simple yet functional.

### Standard Features:

- Extra support provided by .25" steel plate under top
- Steel wall mount under top, .187" thick x 1.75" wide
- Angled steel braces, .25" thick by 1.5" wide

### Options:

- 14-gauge stainless steel or mild steel top



Size Specifications:	Stainless Steel Seat	Steel Seat
Overall Size:	14.25"d x 14.5"w x 13"h	14"d x 14"w x 13"h

## Floor Mount Stools

Heavy-duty Floor Mount Stools are designed to be secure and withstand repeated use and heavy users at a competitive price.

### Standard Features:

- Round stainless steel stool seat with 1" bottom lip
- Mounting plates produced with .25" thick plate steel
- Upright post produced with 1.5" pipe size tube



### Size Specifications: Swivel Seat

Seat Size: 12" round x 18"h  
 Overall Size: 12"d x 12"w x 18"h

## 440 Stack Chairs

Sturdy enough for heavy-use areas, 440 Stack Chairs are a comfortable, versatile and economical option for large seating applications.



### Standard Features:

- 2" thick seat and back cushions
- 16-gauge, .875" square steel frame and legs
- Stackable on floor or dolly

### Options:

- Armless or with arms
- Dolly holds 12 armless chairs

Size Specifications:	Armless	With Arms
Seat Size:	15.5"d x 15.5"w	15.5"d x 15.5"w
Back Size:	15"w x 12.5"h	15"w x 12.5"h
Overall Size:	21.5"d x 17.5"w	21.5" x 25.5"w
Seat Height:	18"	18"

### Colors Available:

- Frame/Legs: See painted metal colors
- Fabric: See fabric card



# seating

## Curved Back Chairs

Curved Back Chairs provide an unbeatable combination of sturdiness, comfort and price, making them a great choice for high-use applications.



### Standard Features:

- Welded steel 16-gauge, .875" square tube frame and legs
- Stackable
- 2" thick foam seat
- Upholstered seat and back



### Colors Available:

- Frame/Legs: See painted metal colors
- Fabric: See fabric card

### Size Specifications: Curved Back

- Seat Size: 16" d x 16" w
- Back Size: 15" w x 10" h
- Overall Size: 17.5" w x 21.5" d
- Seat Height: 18"

## Dakota Series Chairs

The Dakota Series of high-density stacking chairs offers superior support and comfort for mass-seating applications at economical prices. Choose Poly Chairs for maximum stacking ability or Fixed Seat & Back Chairs with cushions for extra comfort.



### Standard Features:

- Injection-molded polypropylene shell cleans easily
- Chair frame constructed of .4375" solid steel rod
- Stackable

### Options:

- .5" thick seat and back cushions
- Armless, poly or upholstered (Fixed Seat & Back Chairs only) arms
- Bookrack
- Dolly
- Glides: 3 styles to match your flooring
- Flip-up tablet arm

Size Specifications:	Armless	With Arms
Seat Size:	17.75" d x 18.25" w	17.75" d x 18.25" w
Back Size:	18.5" w x 12" h	18.5" w x 12" h
Overall Size:	19.25" d x 19.5" w	19.25" d x 25.5" w
Seat Height:	18"	18"

### Colors Available:

- Base/Frame: Chrome (standard) or Black
- Molded Surface: See molded surface colors
- Fabric: See fabric card



## Steel Frame Group

For the most demanding situations, the reasonably priced Steel Frame Group is the perfect choice. The group includes several seating options and tables to fill a variety of needs. The steel frames on all pieces are painted a neutral gold ore color.

### Colors Available:

- Frame: Gold Ore only
- Fabric: See fabric card



### Settees & Tables

Settees feature thick, single-unit cushions attached to the steel frames. The 16-gauge, 1.5" steel frames on the tables and chairs are virtually indestructible. Tables have fiberesin tops. A matching side chair is also available.

- Triple Settee: 32" d x 71.5" w x 30" h
- Double Settee: 32" d x 49" w x 30" h
- Lounge Chair: 32" d x 26" w x 30" h
- Low-Back Side Chair: 28" d x 24.5" w x 34" h
- Coffee Table: 18.5" d x 47" w x 15.5" h
- End Table: 29" d x 23.75" w x 20.5" h



## Guardian Series

The Guardian Series is built tough for 24/7 heavy-duty intensive use. Both the chair and stool feature generously sized seats and backs, perfect for large users or officers in full gear.

### Colors Available:

- Base/Frame: Black only
- Fabric: See fabric card

### Guardian Chair

The extra thick, contoured cushions of the Guardian Chair provide ample comfort and support for nearly any size user.

#### Standard Features:

- All components are extra heavy-duty to hold up to 400 lbs. of total weight
- Oversized seat and back
- Height and width adjustable arm rests
- Back height adjusts 4"
- Seat tilt tension adjustable and lockable; back and seat tilt in a 2:1 ratio
- High-strength steel J-style back upright
- 3.75" thick seat cushions
- 2.75" thick back cushions
- Waterfall seat

#### Options:

- Loop arms or "breakaway" arms



Choose loop arms (above) or breakaway arms that fold out of the way for easy entry and exit (below).



### Guardian Stool

The extra height of the Guardian Stool makes it a great choice for dispatch and control center use or anywhere extra height is needed.

#### Standard Features:

- All components are extra heavy-duty to hold up to 400 lbs. of total weight
- Height and width adjustable arm rests
- Back height adjusts 4"
- Back tilt tension adjustable
- High-strength steel J-style back upright
- 3.75" thick seat cushions
- 2.75" thick back cushions
- Waterfall seat
- Stool base and ring produced from 14-gauge, 1" round steel tubing

#### Options:

- Large and extra-large sizes available
- Loop arms or "breakaway" arms



Size Specifications:	Extra Large Chair	Large Stool	Extra Large Stool
Seat Size:	21.25"d x 23.5"w	20"d x 22"w	21.25"d x 23.5"w
Back Size:	23"w x 28"h	19"w x 24"h	23"w x 28"h
Seat Height:	18.375" – 23"	27.25" – 31.875"	27.25" – 31.875"
Casters:	65mm	n/a	n/a
Base Size:	28"	32"	32"

## TUF Grande Chair

The oversized dimensions of the TUF Grande Chair make it an ideal choice for officers in full gear. With a multitude of ergonomic functions and thick cushions, the TUF Grande Chair is comfortable as well as practical.

### Colors Available:

- Base/Frame: Black only
- Fabric: See fabric card



#### Standard Features:

- All components are heavy-duty to hold up to 350 lbs. of total weight
- Height and width adjustable soft loop arms
- Infinite seat tilt lock with tilt tension and 6 degree forward tilt
- 3" thick seat and back cushions
- Waterfall seat

#### Size Specifications: TUF Grande Chair

Seat Size:	21"d x 24"w
Back Size:	22"w x 27"h
Seat Height:	17" – 20"
Casters:	55mm
Base Size:	28"

# tables

## Floor Mount Cell Table

The all-in-one design of the Floor Mount Cell Table provides a cost-effective, practical and secure solution to furnishing cells with a table and chair.

**Standard Features:**

- Heavy-duty steel construction with 11-gauge steel panels & top and 16-gauge, 1.5" square tubing
- Steel towel bar on one end of table
- 2-shelf module for storing writing materials features an open back for security
- 12" round stainless steel swing out seat



**Size Specifications: Cell Table**

Overall Size: 14"d x 29.75"w x 30.875"h  
 Seat Size: 12" round x 18"h

## Wall Mount Cell Table

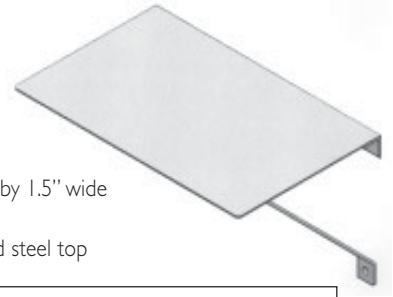
Provide an economical writing surface in cells with Wall Mount Cell Tables. Tables are built heavy duty for security and durability.

**Standard Features:**

- Extra support provided by .25" steel plate under top
- Steel wall mount under top, .187" thick x 1.75" wide
- Angled steel braces, .25" thick by 1.5" wide

**Options:**

- 14-gauge stainless steel or mild steel top



**Size Specifications: Stainless Steel Table      Steel Table**

Overall Size: 14.25"d x 22.5"w x 13"h      14"d x 22"w x 13"h

## Freestanding Jail Table

For common areas, Freestanding Jail Tables are a great choice to withstand the heavy use expected in a correctional environment.



**Standard Features:**

- High-pressure laminate work surface produced with 1.125" particleboard, backer sheet and vinyl t-mold edging
- Heavy-duty welded steel base produced with 2" square legs

**Options:**

- Floor mountable

**Colors Available:**

- Frame/Legs: See painted metal colors
- Laminate Tabletop: See laminates (excluding Fine Oak and Wisconsin Oak)
- T-Mold Edging: Black, Brown, Light Neutral or Dark Neutral

**Size Specifications: Jail Table**

Overall Size: 42"d x 42"w x 30"h

## Adjustable Height Tables

Adjustable Height Tables are available in an array of shapes and sizes to fulfill virtually any table need. Constructed with quality materials, these tables will provide years of service even under continuous use.



**Standard Features:**

- Height adjustable from 22" to 30" in 1" increments
- High-pressure laminate work surface produced with particleboard, backer sheet and vinyl t-mold edging
- Welded steel base produced with 18-gauge, 1.125" round tube legs and 16-gauge, 1" adjustable leg inserts
- Non-marring, nylon-base swivel glides

**Options:**

- Numerous sizes in round, rectangular, square, trapezoid and kidney shapes
- .75" or 1.125" (recommended for jail use) thick particleboard tops

**Colors Available:**

- Frame/Legs: See painted metal colors
- Laminate Tabletop: See laminates (excluding Fine Oak and Wisconsin Oak)
- T-Mold Edging: Black, Brown, Light Neutral or Dark Neutral



Available Sizes:	Round	Square	Rectangular
	36"	36"	Depth: 24"
	42"	42"	30"
	48"	48"	36"
			Width: 48"
	<b>Kidney</b>	<b>Trapezoid</b>	60"
	48"d x 72"w	24"d x 48"w	72"
	48"d x 96"w	30"d x 60"w	96"



## Pedestal Tables

Combining reasonable prices with stylish looks, Anamosa Pedestal Tables work well in breakrooms, offices and more.



### Standard Features:

- High-pressure laminate tabletop produced with particleboard, backer sheet and vinyl t-mold edging
- Standard 30" tabletop height
- Sturdy star-style base with adjustable glides

### Options:

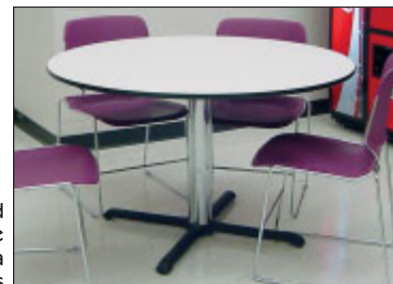
- Round, square or rectangular tables
- .75" or 1.125" (recommended for jail use) thick particleboard top
- Custom sizes and heights available

Available Sizes:	Round & Square	Rectangular
	36"	36"d x 72"w
	42"	
	48"	

Anamosa Round Pedestal Table shown with Dakota Polypropylene Chairs

### Colors Available:

- Base: Chrome or Black Column, Black Base
- Laminate Tabletop: See laminates (excluding Fine Oak and Wisconsin Oak)
- T-Mold Edging: Black, Brown, Light Neutral or Dark Neutral



## Anamosa Folding Tables

Anamosa Folding Tables provide superb quality and performance at a modest price when tables are moved and stored often. Only the highest quality materials are used to make certain these tables will hold up to repeated use.



### Standard Features:

- High-pressure laminate tabletop produced with a heavy-duty .75" thick solid core top, backer sheet and vinyl t-mold edging
- Standard 30" tabletop height
- 4-leg base produced with 16-gauge round steel tube
- Non-marring, nylon-base glides

### Options:

- Lightweight models available in limited sizes
- Dolly holds 10 tables

Available Sizes:	Rectangular
	18"d x 72" or 96"w
	24"d x 72" or 96"w
	30"d x 60", 72" or 96"w
	36"d x 72" or 96"w

Folding Tables shown with Dakota Polypropylene Chairs

### Colors Available:

- Frame/Legs: See painted metal colors
- Laminate Tabletop: See laminates (excluding Fine Oak and Wisconsin Oak)
- T-Mold Edging: Black, Brown, Light Neutral or Dark Neutral



## Lightweight Poly Folding Tables

For a folding table that will withstand outdoor elements, Lightweight Poly Folding Tables are both lightweight and weather resistant. Tables are light enough for frequent set up and handling while strong enough to hold heavy loads.



### Standard Features:

- Molded polyethylene tabletops for indoor or outdoor use
- Fold to only 3" thick
- Stackable up to 15 tables high
- 14-gauge steel frame and wishbone-style leg system with powder-coated painting for weather and rust resistance
- Standard 30" tabletop height

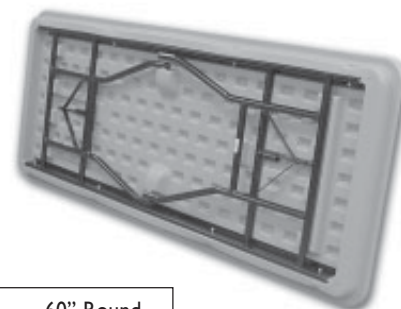
### Options:

- Dolly for each size table

Weight Comparison:	18"d x 72"w	30"d x 72"w	30"d x 96"w	60" Round
Poly Tables:	40 lbs	46 lbs	55 lbs	60 lbs
Anamosa Tables:	64 lbs	93 lbs	115 lbs	n/a

### Colors Available:

- Frame/Legs: See painted metal colors
- Poly Tabletop: Grey



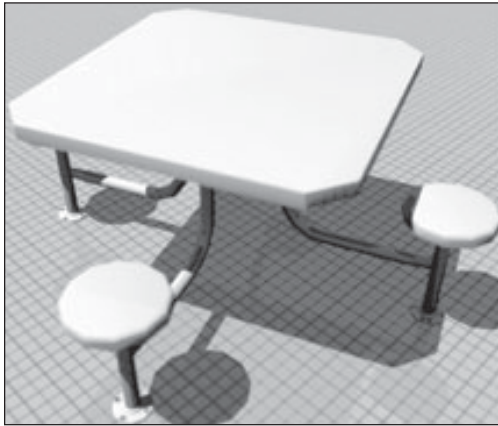
# dining clusters

## Round Pipe Dining Clusters

Furnish dining areas with heavy-duty Round Pipe Dining Clusters designed to withstand the use and abuse they are sure to receive. Dining Clusters can be mounted on the floor for extra security or left freestanding for flexibility.

### Colors Available:

- Frame: See painted metal colors
- Top/Seats: Stainless steel or see painted metal colors

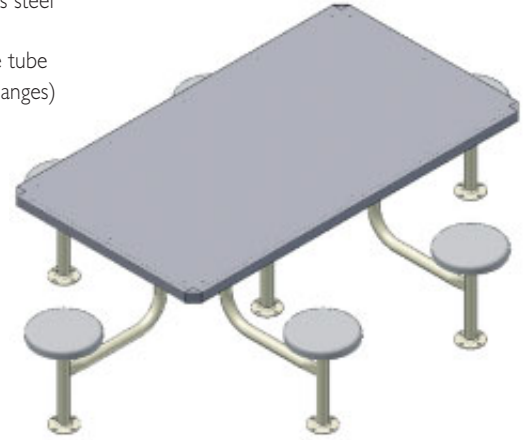


### Standard Features:

- Stainless steel table top designed with a reinforced perimeter box tube effect made with 14-gauge stainless steel
- 12" round stainless steel stool seats
- Legs and frame produced with 1.5" pipe size tube
- Cast steel mounting flanges (standard pipe flanges)

### Options:

- Less expensive all steel top
- Six-sided seats or bench style seats
- 4 person or 6 person (with extra leg for stability) capacity



Size Specifications:	4-Person	6-Person
Table Size:	40"d x 40"w	40"d x 72"w
Seat Size:	12" round x 18"h	12" round x 18"h
Overall Size:	68"d x 68"w x 30"h	68"d x 100"w x 30"h

## Steel Frame Dining Clusters

Long-lasting Steel Frame Dining Clusters are built with security and durability in mind. Either mount Dining Clusters to floor or leave freestanding depending on the level of security and flexibility needed.

### Colors Available:

- Frame: See painted metal colors
- Top/Seats: Stainless steel or see painted metal colors

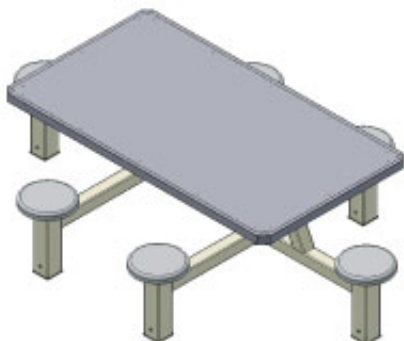
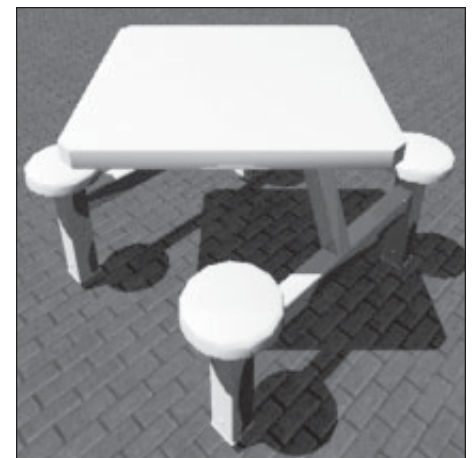


### Standard Features:

- Stainless steel table top designed with a reinforced perimeter box tube effect made with 14-gauge stainless steel
- 12" round stainless steel stool seats
- 4" square legs produced with 11-gauge (0.125") mild steel tube
- 3" square cross and brace tubes produced with .25" mild steel tube
- All bolts are drilled head spanner screws for secure, tamper resistant connections

### Options:

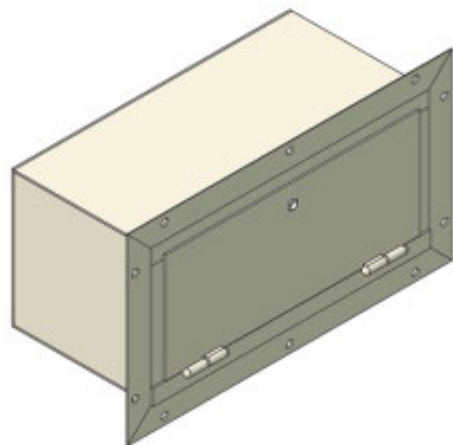
- Less expensive all steel top
- Six-sided seats or bench style seats
- 4 person or 6 person capacity



Size Specifications:	4-Person	6-Person
Table Size:	40"d x 40"w	40"d x 72"w
Seat Size:	12" round x 18"h	12" round x 18"h
Overall Size:	54"d x 54"w x 29"h	68.5"d x 100.5"w x 29"h

## Pistol Lockers

Lockable Pistol Lockers are designed to keep firearms safe and secure and can be purchased in single units for small areas or in banks for larger needs. Lockers can also be custom sized.



### Standard Features:

- Produced with 11-gauge steel
- Wall mounted using .375" or .5" anchors
- Inside surfaces lined with .125" thick grey felt
- Heavy-duty locks

### Options:

- Surface or flush (recessed) mount
- Available as individual units or purchase in banks of lockers in virtually any size combination

### Size Specifications: Pistol Locker

Inside Size: 8.75"d x 17.75"w x 8.75"h  
Overall Size: 9"d x 20.75"w x 11.75"h

### Colors Available:

- Frame: See painted metal colors



## Wall Cabinets

Featuring locks and constructed using heavy-duty materials, Wall Mount Cabinets will meet a variety of storage needs in environments where a high level of security is necessary.



### Standard Features:

- Constructed of 16-gauge steel exteriors and 20-gauge steel interiors
- Mount to the wall with .5" bolts and anchors
- Non-directional design so there are no accessible voids
- 2 fixed shelves

### Size Specifications: Wall Mount Cabinet

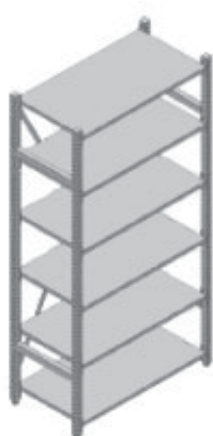
Overall Size: 16"d x 16"w x 32"h

### Colors Available:

- Frame/Shelves: See painted metal colors

## Metal Shelving

Organize storage spaces neatly and inexpensively with sturdy Metal Shelving. Choose from standard sizes or have custom sizes produced specifically to fit a particular area.



### Standard Features:

- Heavy-duty welded steel frame
- Shelves produced with 16-gauge sheet steel
- Fixed bottom shelf with 5 shelves adjustable in 1" increments
- Heavy-duty adjustable glides

### Options:

- Fixed or adjustable shelves



Available Sizes:	Depth	Width	Height
	12"	36"	72"
	18"	48"	
	24"		

### Colors Available:

- Frame/Shelves: See painted metal colors

# about IPI

## What is IPI?

Iowa Prison Industries (IPI) is the work arm of the Iowa Department of Corrections, employing inmates throughout the State of Iowa in manufacturing, farming and private sector work programs. Each business is 100% self-funding and, since 1999, has returned over \$10 million in revenue to the General Fund for education, taxes, family support and room and board.

At Iowa Prison Industries, we believe the cornerstone of an adult's life is *work*. Thus, IPI seeks to offer work vocations that will allow our offenders to learn skills in our nineteen businesses that are transferable to the streets upon release. We begin the training process of each inmate we employ by requiring them to apply for the job they desire. Moreover, they must demonstrate their willingness to build products that they are proud of. Each offender is evaluated on craftsmanship, timeliness and attitude, assuring our customers that only the highest quality products are delivered day in and day out.

No sale is ever final with Iowa Prison Industries. Our products must meet your expectations, not ours. You will find doing business with IPI a pleasure; after all, you own the store.



IPI strives to supply its plants with the latest equipment to enable our inmate employees to have marketable job skills upon their return to society. An example is this Holzma computerized saw located at the Ft. Madison plant.

## Testimonials

"I would like to applaud you and your staff for continued excellence in product availability and customer support... I am proud to say that IPI offers me a "one-vendor" advantage, where I am able to purchase the majority of my facilities needs from one company."

-- R.D. Oppelt, Jail Administrator  
Muscatine County Sheriff's Office  
May 2005

"I wanted to tell you what a fabulous job IPI did on Matt Paul's bookshelf. It looks as if it has been there all along. The stain matches perfectly. I'm also impressed by how quickly the job was completed."

-- Kelly Thompson, Executive Assistant  
Governor's Office  
May 2005

"... We are extremely pleased with the quality of the workmanship in your materials as well as your flexibility in helping us design for custom uses. We are delighted with the results and I wanted you to know how pleased we were with your service. ... We will certainly consider you in the future for other projects."

-- Rev. Edward J. Hurley  
St. Francis of Assisi Catholic Church & School  
September 2004

"Our small community (population approx. 1,000) saved an estimated \$20,000 in furnishings as a result of shopping with IPI. I need to thank you for your help here. Our new center is indeed a showpiece."

-- Vern Meierotto, President  
West Point Public Library Foundation, West Point  
September 2004

"...The industries staff and offenders should be very proud of the high quality lockers recently delivered to our program. During the design process, sales staff worked extensively with us to custom design the locker for our restrictive site requirements. When the lockers arrived, they not only fit the space perfectly but also functioned perfectly..."

-- W.L. Kautzky, Executive Director  
Bridges of Iowa  
July 2003

"...The furniture is not only beautiful, but the quality of workmanship is top rate. These pieces will provide years of pleasurable use. In addition, the cost was very reasonable and you delivered everything on schedule..."

-- Hon. David H. Sivright, Jr., District Judge  
Seventh Judicial District, Clinton  
July 2003

"I thank you for the good relationship between IPI and ISU. I am very pleased to note that I have been in meetings where attendees have commented about their gratitude for products supplied by Iowa Prison Industries."

-- Gregory L. Geoffrey, President  
Iowa State University, Ames  
December 2002

"...In August, three elementary schools were reopened, provided with new furniture from Iowa Prison Industries. Again, the quality is excellent, prices are competitive, and the service was superior. This also allowed us to keep taxpayers' dollars within the state..."

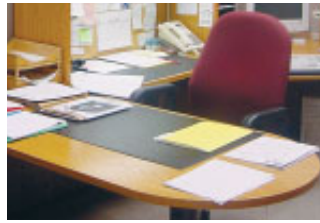
-- Eric Witherspoon, Ph.D., Superintendent  
Des Moines Public Schools, Des Moines  
September 2002

# products & services



## Seating

- Office & Task
- Stacking
- Lounge



## Desks & Tables

- Office Systems & Desks
- Conference Tables
- General Use & Computer Tables



## Filing & Storage

- File Cabinets
- Storage Cabinets
- Bookcases



## Modular Systems

- Space Planning & Design
- Delivery & Installation



## School Furnishings

- Desks & Tables
- Seating
- Storage
- Specialty Items



## Library Furnishings

- Literature Storage & Display
- Desks & Tables
- Seating



## Church Furnishings

- Pews & Chairs
- Pulpits & Lecterns
- Communion & Offering Tables
- General Furnishings



## Parks & Recreation

- Park Benches & Picnic Tables
- Grills & Trash Receptacles
- Bike Racks
- Piers & Docks
- Prefabricated Cabins



## Clothing & Textiles

- Inmate Apparel
- Bed & Bath
- Dietary Apparel



## Jail Furnishings

- Beds & Accessories
- Storage
- Tables, Dining Clusters & Desks
- Seating



## Residence Furnishings

- Loft & Bunk Beds
- Desks, Dressers & Wardrobes
- Lounge Furniture



## Cabinets & Countertops

- Wood & Laminate Cabinets
- Laminate & Solid Surface Countertops



## Signs & Engraving

- Indoor & Outdoor Signs
- ADA Pictograms
- Nameplates & Engraving
- Donor Boards



## Specialty Products/Services

- US Flags
- Picture Framing
- Awards & Plaques
- Braille Transcription



## Printing & Duplicating

- 1-4 Color Printing & Duplicating
- Bindery & Mailing Services
- Envelopes & Business Cards



## Custom Wood

- Custom Office Furniture
- Hand-Crafted Residential Pieces



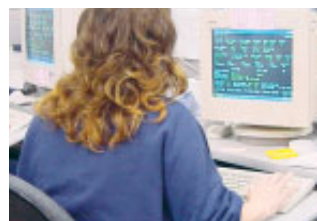
## CD Imaging / Archiving

- Document Scanning
- Indexing



## Furniture Restoration

- Wood Repair & Restoration
- Reupholstery



## Data Entry

- One-Time Projects
- Everyday, Ongoing Tasks



## Chemicals & Maintenance

- Floor Care
- Restroom Care
- Germicidal
- Plastic Bags
- Laundry
- Filters
- Personal Care
- Warewash

**For more information on IPI products and services, visit our web site at [www.iaprisonind.com](http://www.iaprisonind.com) or contact your sales representative at 800-670-4537.**



**Iowa Prison Industries**

A Division of The Department of Corrections

# MISSION STATEMENT



To employ staff and inmates  
who are dedicated to providing:

**Exceptional Service**  
**Reasonable Prices**  
**Quality Products**

It is this commitment to excellence that will allow our business to remain self-funding, achieve growth, provide more jobs for inmates and staff and assume a national leadership role in correctional industries.

## **Vision**

By ensuring our mission is achieved, we will have assisted the Department of Corrections in protecting the public, staff, and inmate safety through vital work programs that will ensure the offenders' chances of a successful return to society as tax-paying citizens upon their release.



## **Iowa Prison Industries**

A Division of The Department of Corrections  
800-670-4537 • [www.iaprisonind.com](http://www.iaprisonind.com)

*"Your State Owned Store"*